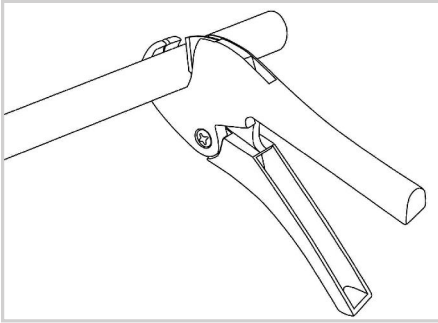


## MOUNTING INSTRUCTIONS

Quick-to-install system. In 3 steps only and without pressing tools.

1

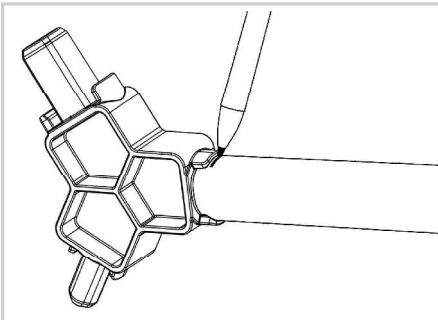
### Cut



Cut easily the desired pipe length by making a square (90°) angle cut.

2

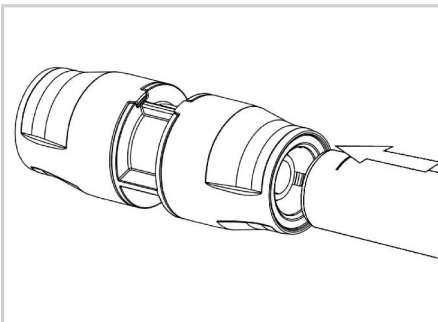
### Form and mark



Use the correct former (same color that fitting's ring). Introduce the pipe to the end. Two or three manual strokes should be enough. And mark the pipe.

3

### Insert

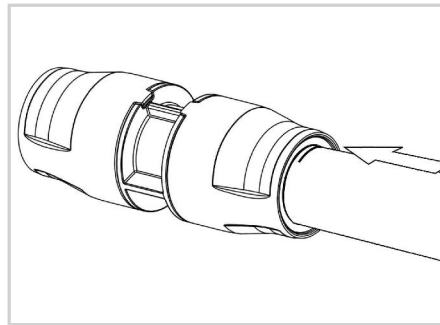


It's necessary enter up the pipe into the mark for a correct installation.

## RECOVERY INSTRUCTIONS

### Press the pipe

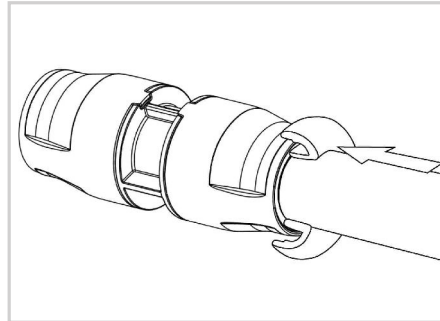
1



Press the pipe versus the fitting.

### Press the key

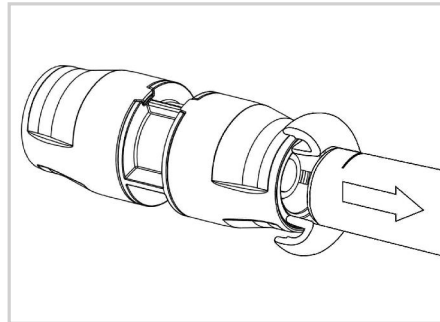
2



Press the key over colour ring.

### Remove

3



Remove the pipe of the fitting.

## IMPORTANT

In case of release the pipe of the accessory must be cut the last part of the pipe up the previous mark, after this, recalibrate and remark before reintroduce.

Check the compatibility between accessory and the correct diameter and thickness pipe according to colour code and table underhere.