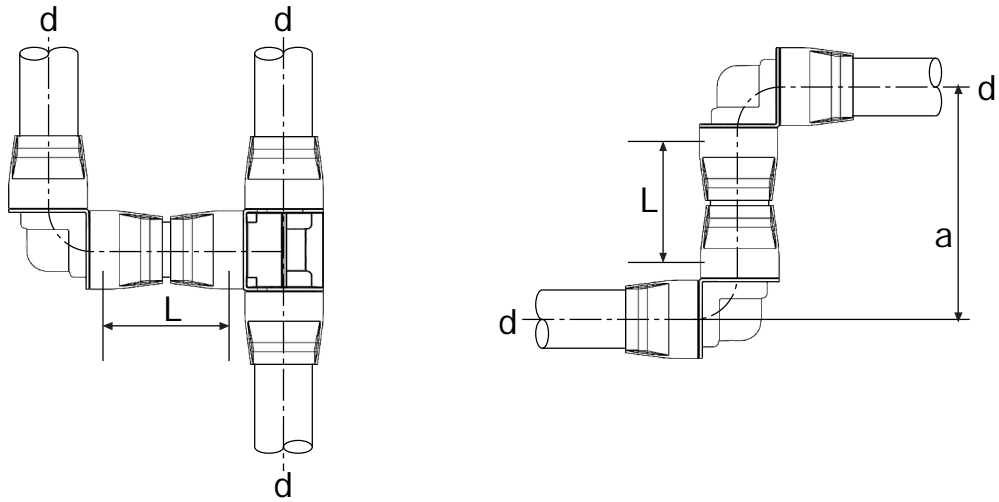


ADDITIONAL CONNECTION FOR PIPE REPAIR AND FITTING COMBINATIONS

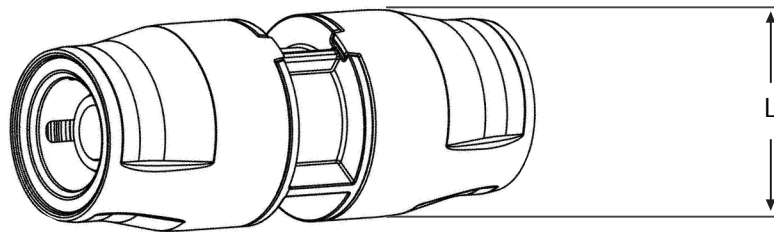
Minimum dimensions when combining fittings



Minimum pipe length between two fittings with HTPpush or HTPpush 3.2

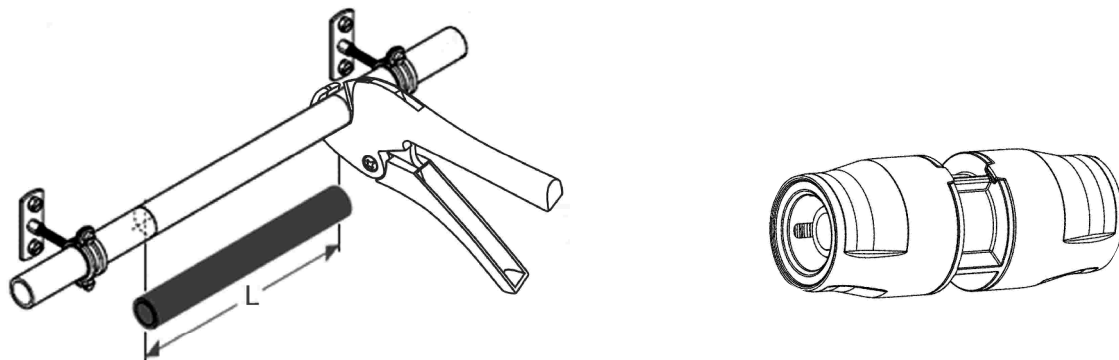
d (mm)	16	20	25	26	32
L (mm)	50	54	60	60	74

External diameter fittings



d (mm)	16	20	25	26	32
L (mm)	30	36	41	41	49

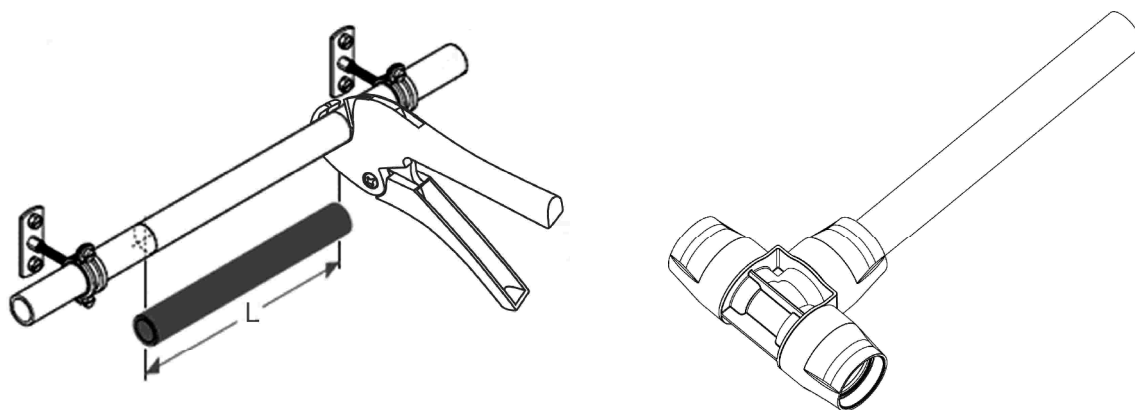
Repair pipes - using couplings



Dimension cut pipe length with *HTPpush* or *HTPpush 3.2*

d (mm)	16	20	25	26	32
L (mm)	25	27	30	30	34

Insert tee radiator



Dimension cut pipe length with *HTPpush* or *HTPpush 3.2*

Tee radiator	16-Cu15-16	20-Cu15-20	20-Cu15-16	25-Cu15-20
L (mm)	43	45	44	44